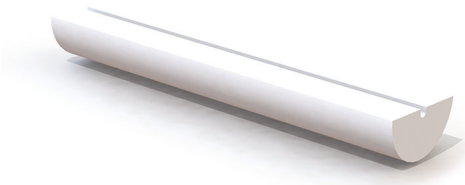




Product dimensions

EI (mm)	Length (m)	Dimensions (h x L) (mm)
60 to 120	1	90
180		130

E = Fire sealing / I = Thermal insulation



Product description

Pre-moulded elements designed to protect threaded rods. The 1/2 shells are made primarily of plaster and glass fibre.

Application

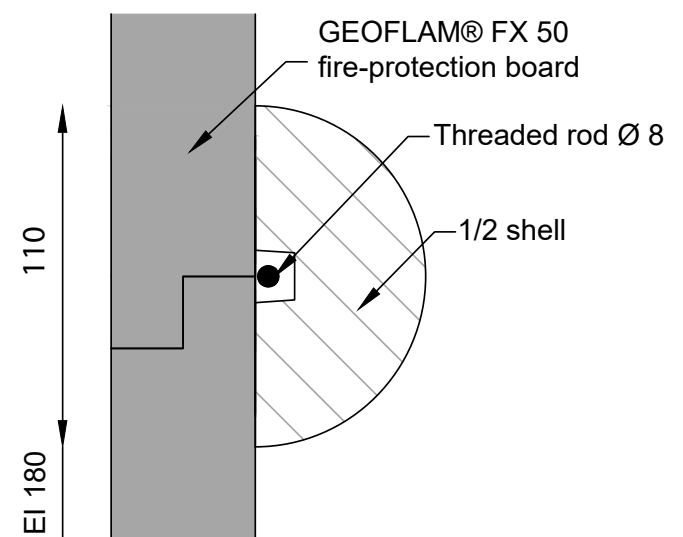
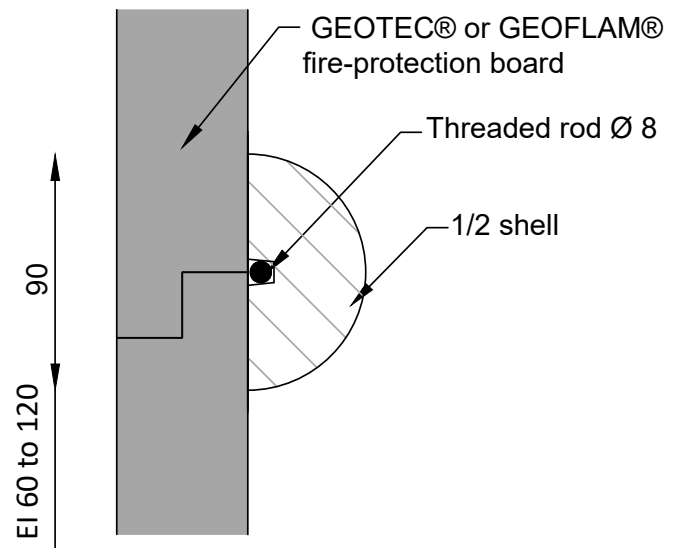
Protection for the metal supports of horizontal **GEOTEC®** and **GEOFLAM®** ducts, EI 60 to 180 (1 hr to 3 hr firestop).

Implementation

The **GEOTEC®A** 1/2 shell firestop elements are assembled with adhesive. These elements can be cut with a handsaw, sabre saw or circular saw.

Transportation and storage

Transport and store on a flat, protected surface. Keep away from water.



Reaction to fire
A1 classification in accordance with standard EN 13501-1